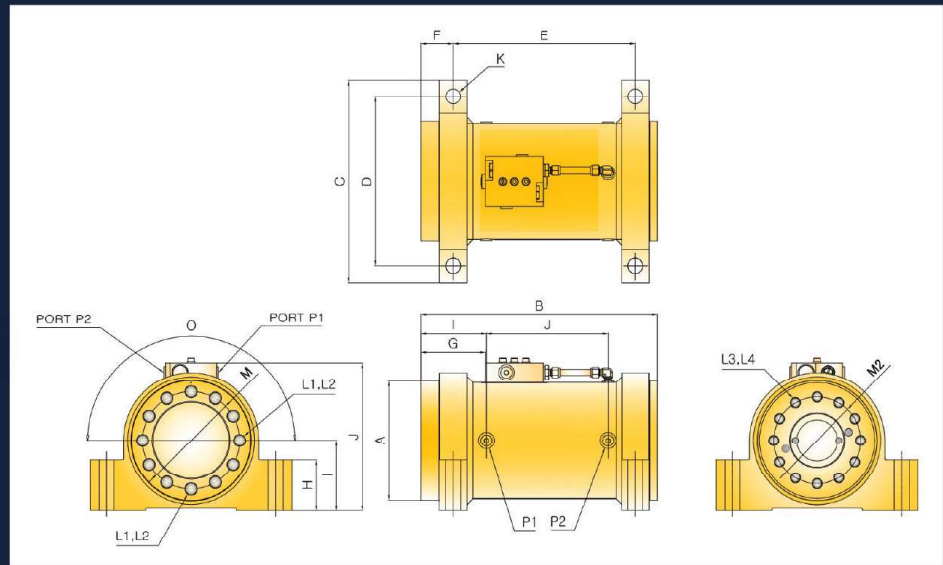


SRC Series Specification & Dimension

SRC Series Specification		SRC-115	SRC-125	SRC-150	SRC-180
Torque					
Drive Torque	in - lbs @ 3,000 psi	17,000	25,000	42,000	65,000
	kg - m @ 210 bar	195	288	484	748
Holding Torque	in - lbs @ 3,000 psi	43,600	60,400	103,000	162,000
	kg - m @ 210 bar	494	695	1,186	1,866
Maximum Moment Capacity					
Straddle Mount	in - lbs	119,000	150,000	273,000	423,000
	kg - m	1,300	1,728	3,145	4,873
Cantilever Mount	in - lbs	45,900	62,500	105,000	162,500
	kg - m	700	720	1,210	1,872
Radial Capacity					
Radial	lb	4,000	5,000	8,000	11,000
	kg	1,814	2,268	3,629	4,990
Axial Capacity					
Axial	lb	3,000	4,000	6,000	8,000
	kg	1,361	1,814	2,722	3,629
Displacement					
180 degree	in ³	30.8	42.3	71.7	114
	cm ³	505	693	1,175	1,868
Approximate Weight (Wet)					
with Valve (CBV)	lb	76	104	157	238
	kg	34.5	47	71	108

SRC



ITEMS		SRC-115	SRC-125	SRC-150	SRC-180
ØA	mm	139	155	183	209
B	mm	298	323	356	413
C	mm	222	268	310	350
D	mm	190	230	260	300
E	mm	229	248	281	314
F	mm	38.1	44	50	57
G	mm	143	81	99.5	108
H	mm	48	70	78	88
I	mm	80	95	101	122
J	mm	179	201	187	259
ØK	mm	M16	M20	M22	M24
L1	Inch Metric	1/2-13 UNC M12 × 1.75	5/8-11 UNC M16 × 2.0	3/4-10 UNC M20 × 2.5	7/8-9 UNC-2B M22 × 2.5
L2 Number of mounting holes	EA	12	12	12	12
L3	Inch Metric	3/8-16 UNC M10 × 1.5	1/2-13 UNC M12 × 1.75	5/8-11 UNC M16 × 2.0	3/4-10 UNC-2B M20 × 2.5
L4 Number of mounting holes	EA	12	12	12	12
ØM1	mm	115	125	150	170
ØM2	mm	108	120	133	150
Rotation	degree	180(Standard)	180(Standard)	180(Standard)	180(Standard)
P1 Port	Inch	7/16-20 UNF	7/16-20 UNF	9/16-18 UNF	9/16-18 UNF
P2 Port	Inch	7/16-20 UNF	7/16-20 UNF	9/16-18 UNF	9/16-18 UNF
Q1 Port	Inch	7/16-20 UNF	7/16-20 UNF	9/16-18 UNF	9/16-18 UNF
Q2 Port	Inch	7/16-20 UNF	7/16-20 UNF	9/16-18 UNF	9/16-18 UNF

*Note) The above specifications are standard. Mounting, rotating angle and port size can be discussable.