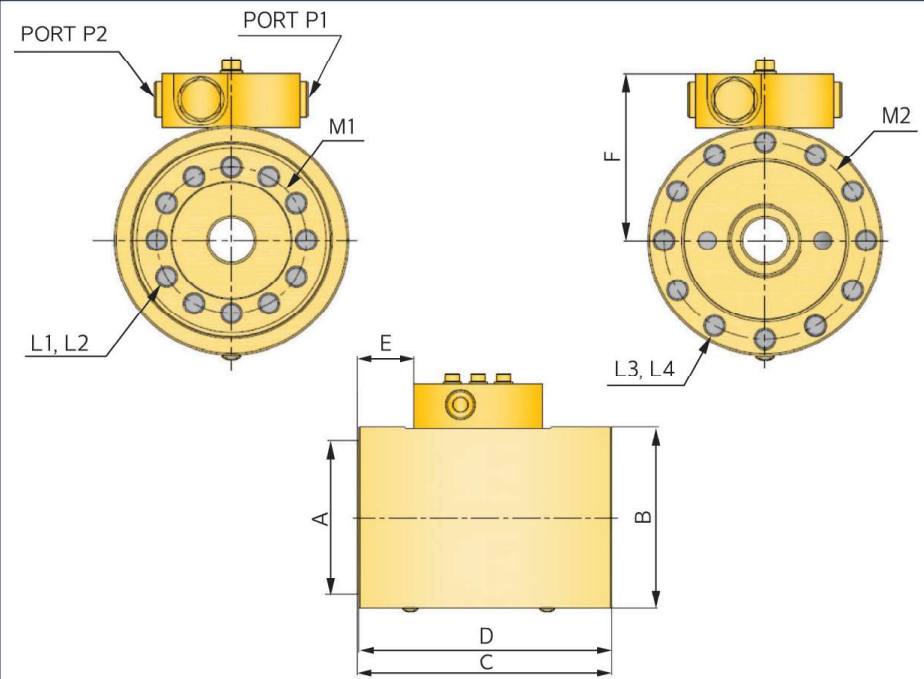


SRA Series Specification & Dimension

SRA Series Specification		SRA-080	SRA-090	SRA-110	SRA-140	SRA-160
Torque						
Drive Torque	in - lbs @ 3,000 psi	1,700	3,000	6,500	9,500	15,000
	kg - m @ 210 bar	20	35	75	109	173
Holding Torque	in - lbs @ 3,000 psi	5,600	11,000	17,000	34,000	50,000
	kg - m @ 210 bar	65	127	196	392	576
Maximum Moment Capacity						
Cantilever Mount	in - lbs	5,000	9,000	20,000	50,000	80,000
	kg - m	58	104	230	576	922
Radial Capacity						
Radial	lb	2,000	3,000	4,000	8,000	11,000
	kg	907	1,361	1,814	3,629	4,990
Axial Capacity						
Axial	lb	2,000	3,000	4,000	8,000	11,000
	kg	907	1,361	1,814	3,629	4,990
Displacement						
180 degree	in ³	4.7	7.2	14.5	22.9	35.6
	cm ³	77	117	238	376	584
Approximate Weight (Wet)						
with Valve (CBV)	lb	14.1	22.0	32.6	58.9	97
	kg	7.1	11.7	14.8	26.7	44

SRA



ITEMS		SRA-080	SRA-090	SRA-110	SRA-140	SRA-160
ØA	mm	80	93	113	140	160
ØB	mm	102	117	136	170	197
C	mm	140	143	156	184	224
D	mm	139	142	155	183	223
E	mm	27.5	31.5	32.5	39	66.5
F	mm	81	88.5	98.5	115	128.5
L1	Inch Metric	5/16-18 UNC M8 × 1.25	5/16-18 UNC M8 × 1.25	3/8-16 UNC M10 × 1.5	1/2-13 UNC M12 × 1.75	1/2-13 UNC M12 × 1.75
L2 Number of mounting holes	EA	8	8	12	12	12
L3	Inch Metric	5/16-18 UNC M8 × 1.25	5/16-18 UNC M8 × 1.25	3/8-16 UNC M10 × 1.5	1/2-13 UNC M12 × 1.75	1/2-13 UNC M12 × 1.75
L4 Number of mounting holes	EA	8	8	12	12	12
ØM1	mm	54	73	80	102	127
ØM2	mm	86	103	117	151	175
Rotation	degree	180 (Standard)	180 (Standard)	180 (Standard)	180 (Standard)	180 (Standard)
P1 Port	Inch	7/16-20 UNF	7/16-20 UNF	7/16-20 UNF	7/16-20 UNF	7/16-20 UNF
P2 Port	Inch	7/16-20 UNF	7/16-20 UNF	7/16-20 UNF	7/16-20 UNF	7/16-20 UNF

*Note) The above specifications are standard. Mounting, rotating angle and port size can be discussable.