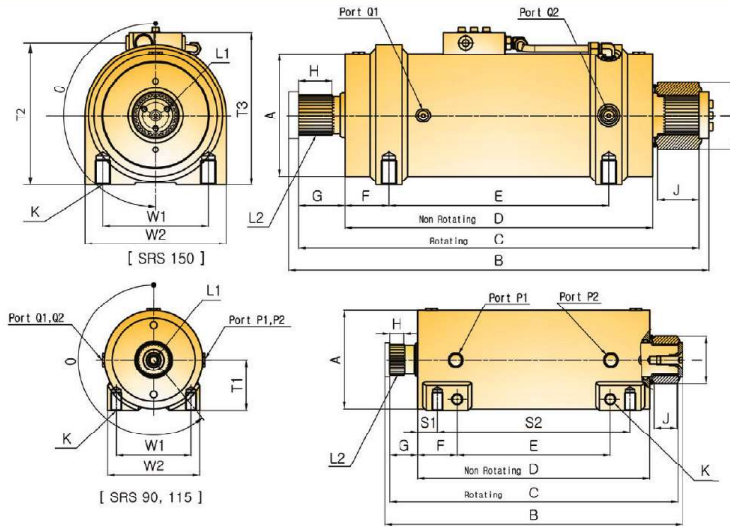


## SRS Series Specification & Dimension

SRS Series Specification		SRS-090	SRS-115	SRS-150
<b>Torque</b>				
Drive Torque	in - lbs @ 3,000 psi	15,000	27,000	60,000
	kg - m @ 210 bar	173	311	691
Holding Torque	in - lbs @ 3,000 psi	30,100	54,200	127,000
	kg - m @ 210 bar	347	622	1,463
<b>Maximum Moment Capacity</b>				
Straddle Mount	in - lbs	22,500	40,500	90,000
	kg - m	259	467	1,037
Standard Rotation (degree)		220°	220°	220°
<b>Radial Capacity</b>				
Radial	lb	2,520	4,500	8,600
	kg	1,143	2,041	3,901
<b>Axial Capacity</b>				
Axial	lb	2,520	4,500	8,600
	kg	1,143	2,041	3,901
<b>Displacement</b>				
180 degree	in <sup>3</sup>	25.2	40	93.6
	cm <sup>3</sup>	413	656	1,534
<b>Approximate Weight (Wet)</b>				
with Valve (CBV)	lb	66	80.5	179
	kg	30	36.5	81

# SRS



ITEMS		SRS-090	SRS-115	SRS-150
ØA	mm	116	142	178
B	mm	431	431	608
C	mm	417	417	579.5
D	mm	329	335	444.5
E	mm	215	221	371.5
F	mm	57	57	63.5
G	mm	44.5	41	67.5
H	mm	30	21	49
I	mm	69.3	69.3	98.3
J	mm	36	33	60.5
ØK	mm	5/8-11 UNC	5/8-11 UNC	7/8-9 UNC
L1	Inch Metric	1/2-13 UNC M12 × 1.75	3/4-10 UNC M20 × 2.5	5/16-18 UNC M8 × 1.25
L2	EA	ANSI B92.1 24T	ANSI B92.1 28T	ANSI B92.1 36T
S1	mm	28.5	28.5	-
S2	mm	272	278	-
T1	mm	58	73.2	101.5
T2	mm	-	-	208
T3	mm	-	-	224.5
W1	mm	85	108	152.4
W2	mm	110	133	204
Rotation	degree	220(Standard)	220(Standard)	220(Standard)
P1 Port	Inch	7/16-20 UNF	9/16-18 UNF	9/16-18 UNF
P2 Port	Inch	7/16-20 UNF	9/16-18 UNF	9/16-18 UNF
Q1 Port	Inch	7/16-20 UNF	9/16-18 UNF	7/16-20 UNF
Q2 Port	Inch	7/16-20 UNF	9/16-18 UNF	7/16-20 UNF

\*Note) The above specifications are standard. Mounting, rotating angle and port size can be discussable.