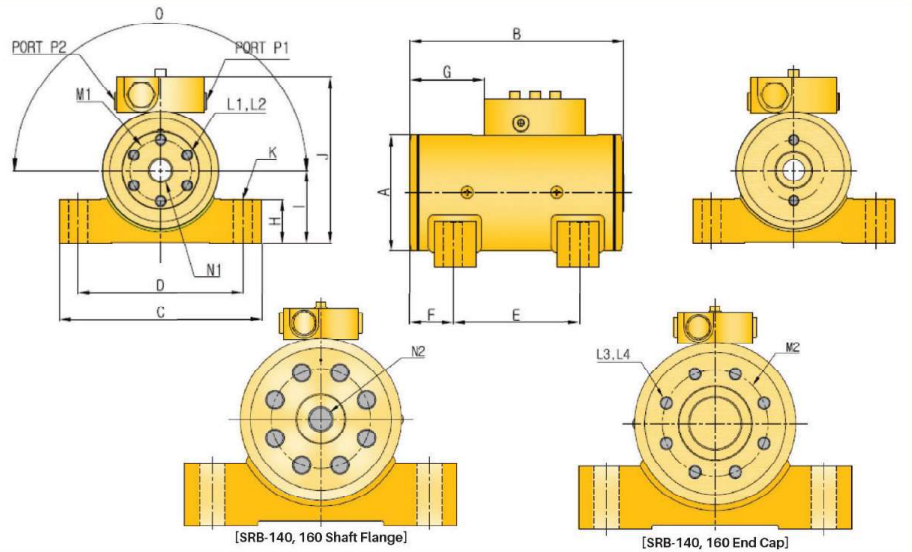


SRB Series Specification & Dimension

SRB Series Specification		SRB-080	SRB-090	SRB-115	SRB-140	SRB-160
Torque						
Drive Torque	in - lbs @ 3,000 psi	4,900	9,100	16,500	27,200	39,000
	kg - m @ 210 bar	57	105	190	313	449
Holding Torque	in - lbs @ 3,000 psi	12,700	23,400	42,900	62,900	93,200
	kg - m @ 210 bar	146	270	494	725	1,074
Maximum Moment Capacity						
Straddle Mount	in - lbs	28,600	50,300	112,700	158,000	280,000
	kg - m	330	580	1,3000	1,820	3,226
Cantilever Mount	in - lbs	15,430	28,100	60,700	100,000	140,000
	kg - m	178	324	700	1,153	1,613
Radial Capacity						
Radial	lb	3,050	4,700	9,230	12,300	21,000
	kg	1,383	2,132	4,187	5,579	9,526
Axial Capacity						
Axial	lb	1,100	1,500	2,200	3,100	3,900
	kg	499	680	998	1,406	1,769
Displacement						
180 degree	in ³	10.3	14.6	34.4	56	75.5
	cm ³	168	239	564	917	1,237
Approximate Weight (Wet)						
with Valve (CBV)	lb	26.5	35.3	61.7	108.0	167.0
	kg	12	16.0	28	49.0	75.7

SRB



ITEMS		SRB-080	SRB-090	SRB-115	SRB-140	SRB-160
ØA	mm	102	114	140	165	197
B	mm	188	216	248	298	337
C	mm	178	190	248	279	330
D	mm	145	150	197	222	267
E	mm	111	140	152	184	216
F	mm	38	38	47	57	60
G	mm	63.5	82	105	143	168
H	mm	38	38	44.5	63.5	70
I	mm	63.5	76.2	86	108	121
J	mm	145	163	186	221	250
ØK	mm	M16	M21	M24	M24	1M30
L1	Inch Metric	3/8-16 UNC M10 × 1.5	3/8-16 UNC M10 × 1.5	1/2-13 UNC M12 × 1.75	3/4-10 UNC M20 × 2.5	3/4-10 UNC M20 × 2.5
L2 Number of mounting holes	EA	6	8	8	8	10
L3	Inch Metric	-	-	-	1/2-13 UNC M12 × 1.75	5/8-11 UNC M16 × 2
L4 Number of mounting holes	EA	-	-	-	8	10
ØM1	mm	54	65	85	102	121
ØM2	mm	-	-	-	108	121
ØN1	mm	19.0(M18)	25.0(M24)	25.0(M24)	-	-
ØN2	mm	-	-	-	1-8 UNC	1 1/4-7
Rotation	degree	180(Standard)	180(Standard)	180(Standard)	180(Standard)	180(Standard)
P1 Port	Inch	7/16-20 UNF	7/16-20 UNF	7/16-20 UNF	7/16-20 UNF	7/16-20 UNF
P2 Port	Inch	7/16-20 UNF	7/16-20 UNF	7/16-20 UNF	7/16-20 UNF	7/16-20 UNF

*Note) The above specifications are standard. Mounting, rotating angle and port size can be discussable.